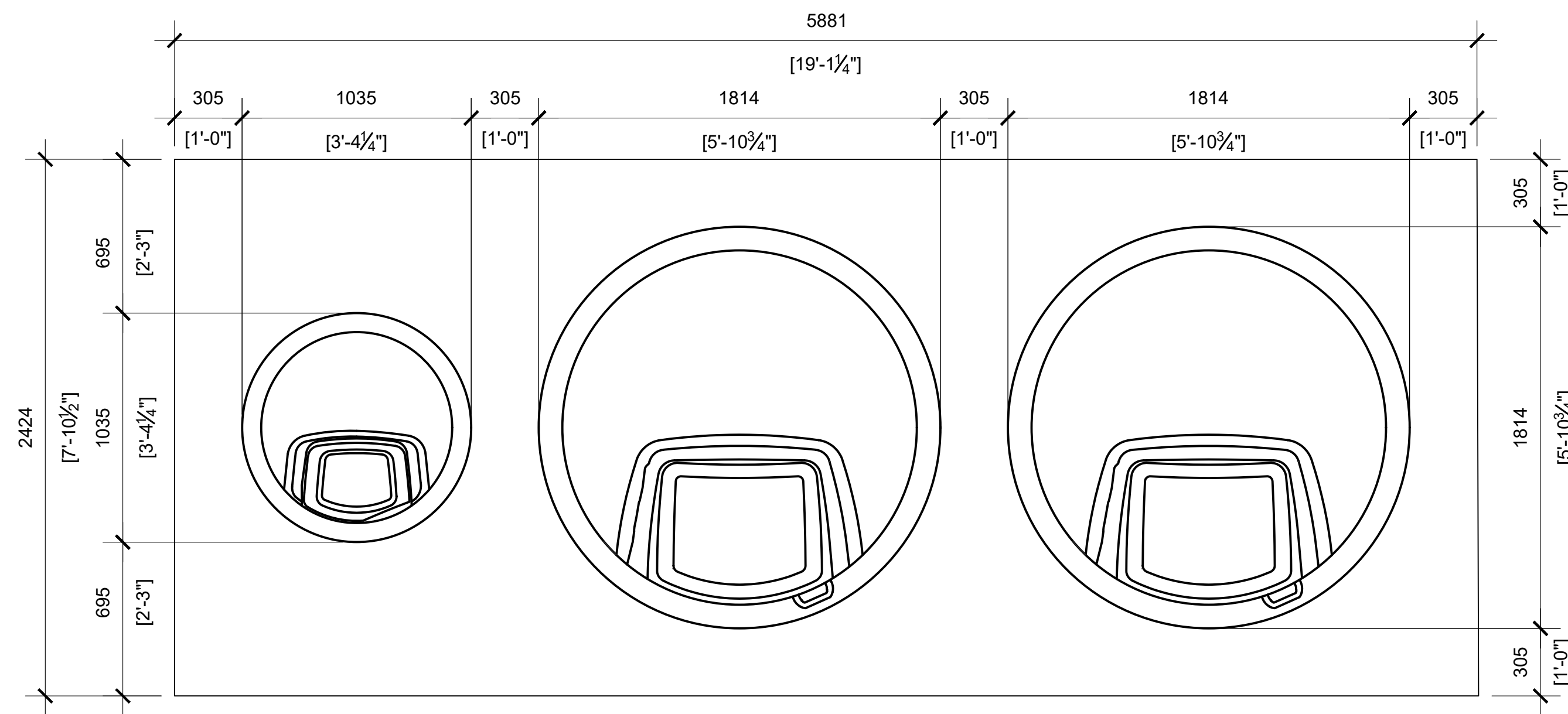
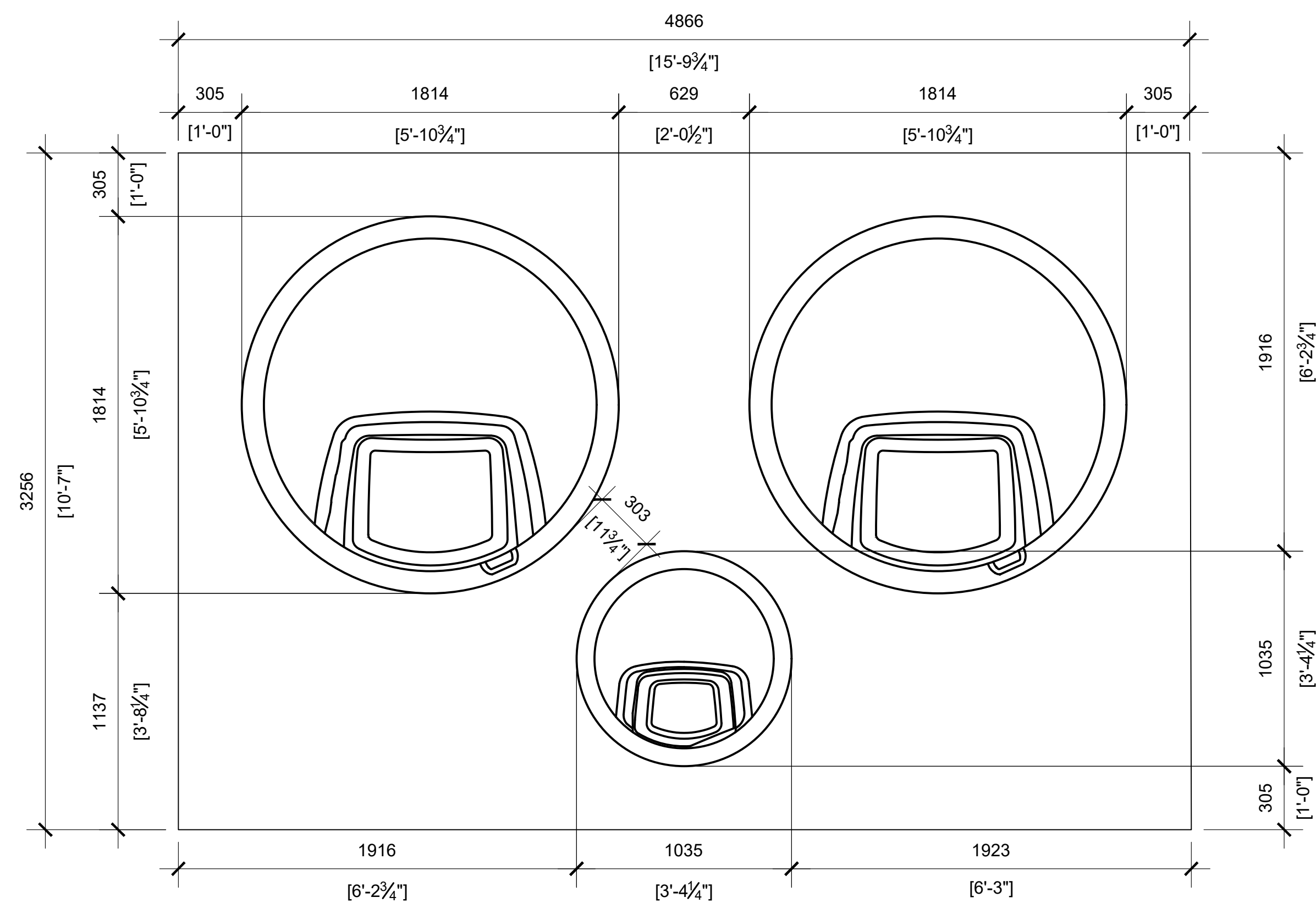


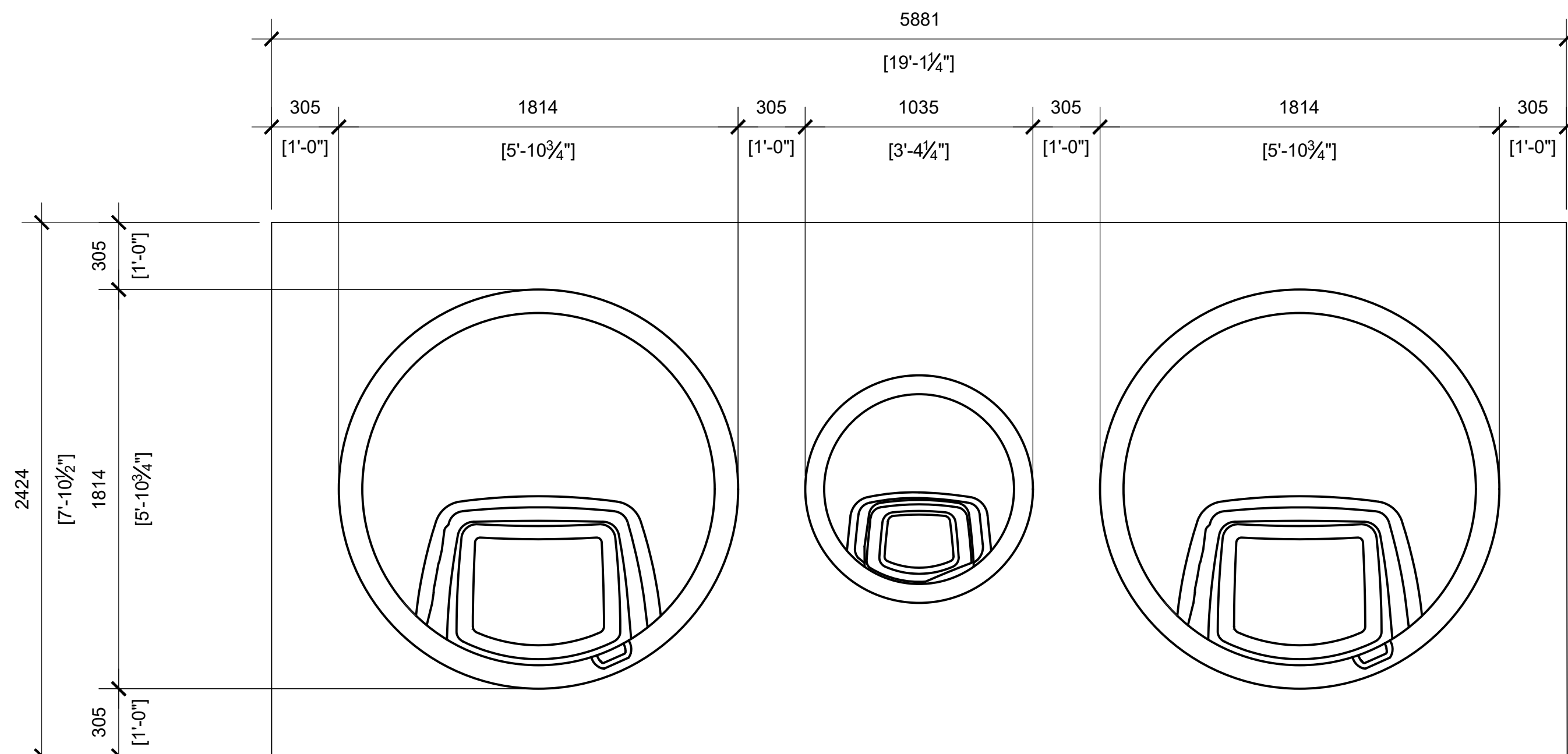
1 STANDARD TWO BIN CONFIGURATION  
A2 1:20



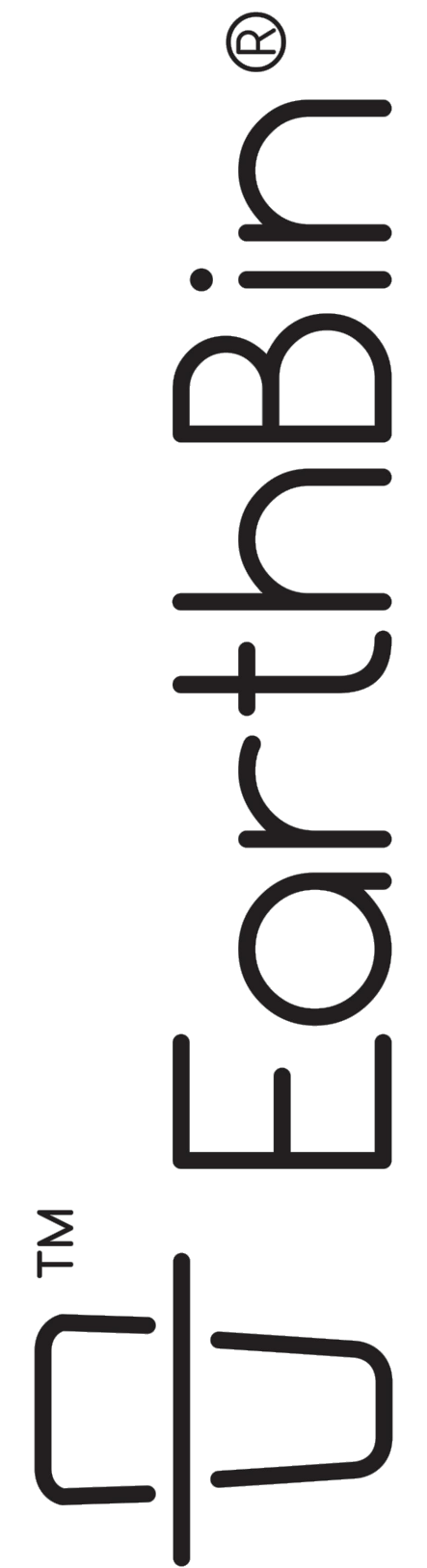
5 THREE BIN CONFIGURATION  
A2 1:20



2 THREE BIN CONFIGURATION  
A2 1:20



4 THREE BIN CONFIGURATION  
A2 1:20



1. ISSUED FOR CLIENT REVIEW ON 2021/01/12

- This drawing is published by Earthbin Products and is copyrighted drawing and design and shall not be used or reproduced without the expressed written permission of Earthbin Products  
 - The contractor shall check and verify all dimensions and report all errors or omissions to the designer prior to commencing the work  
 - These drawings are not to be scaled  
 - Drawings are to be read in conjunction with the installation guide  
 - All drawings are drawn in metric scale unless noted otherwise  
 - All work to conform to the current building codes  
 - The designer's liability is limited to the correction of the working drawings only

SCALE: AS NOTED  
 DESIGN BY: EARTHBIN PRODUCTS  
 DRAWN BY: STUDIO WOLF DESIGNS

EARTHBIN SILO™ TYPICAL BIN CONFIGURATIONS

REVISION#1

A2